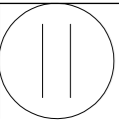
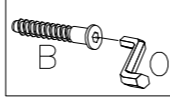


3



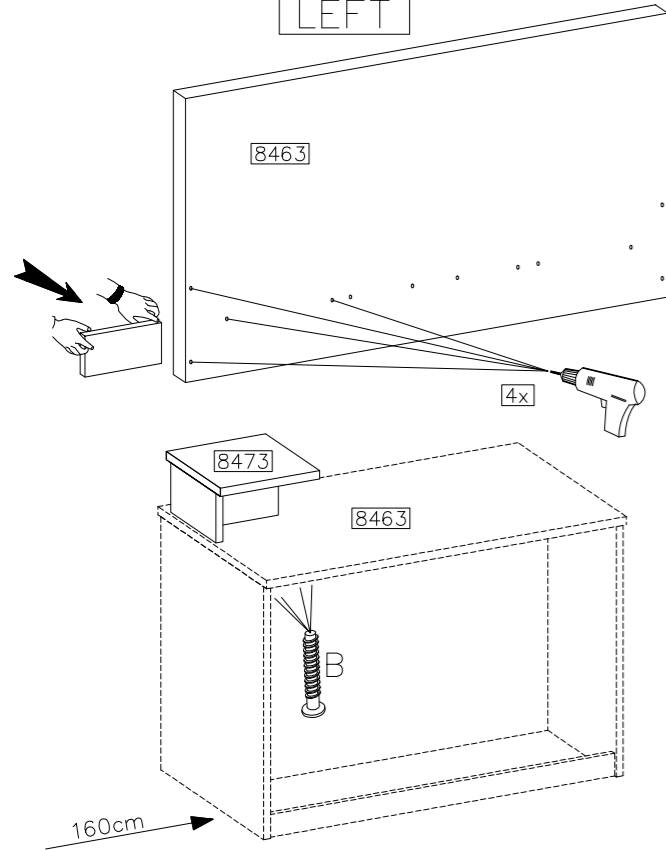
ø7,0x60mm	
B1	O
4	1

OPTION

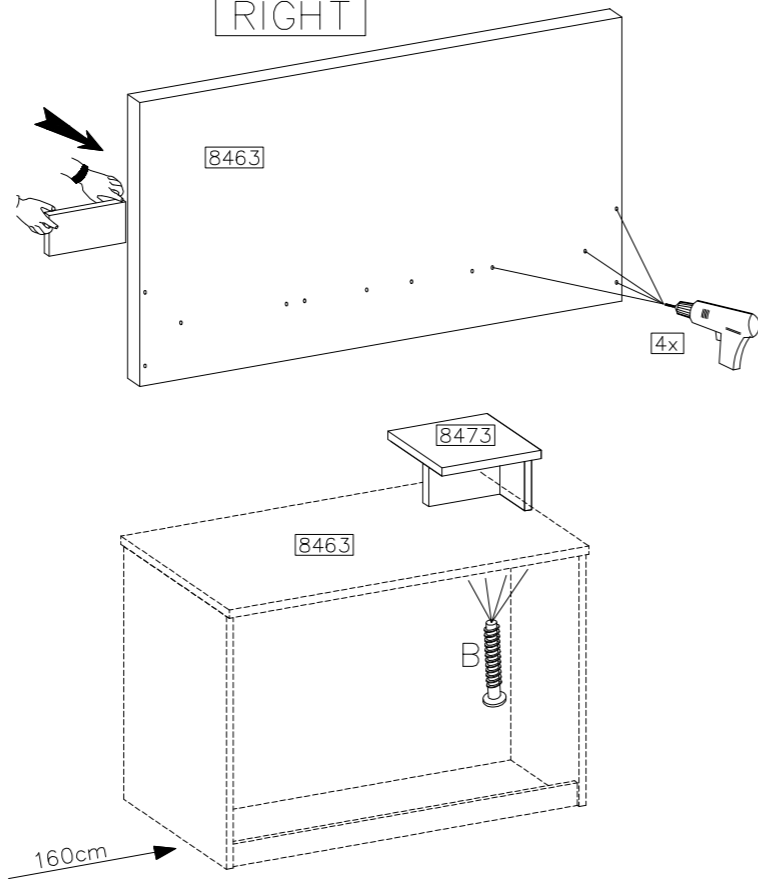


D

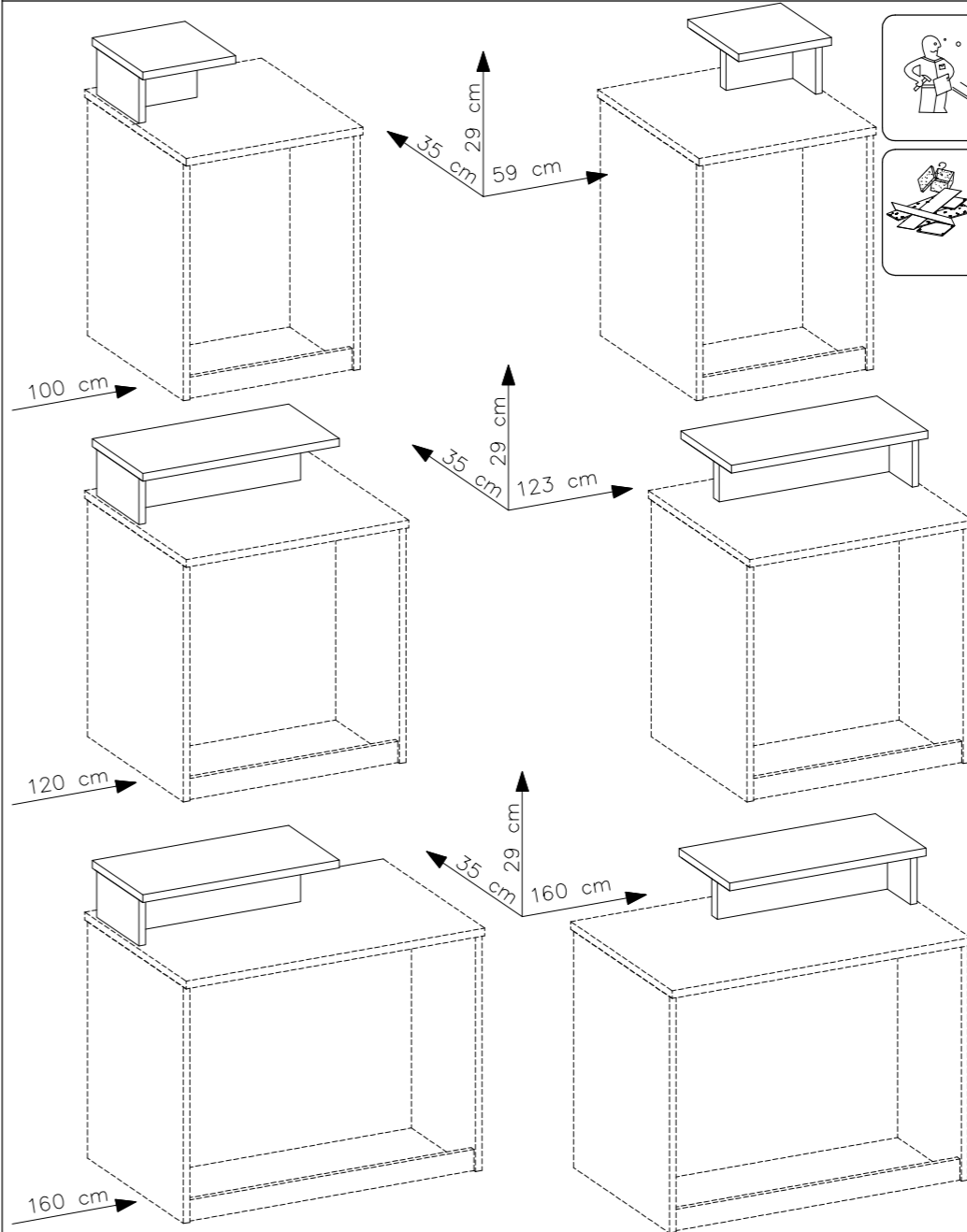
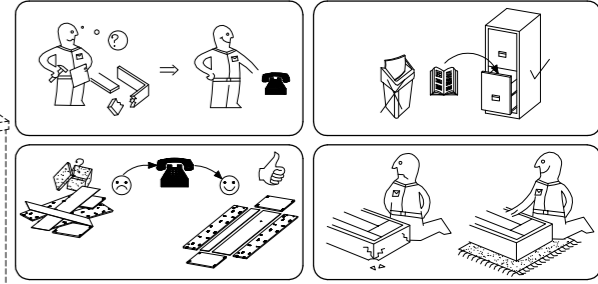
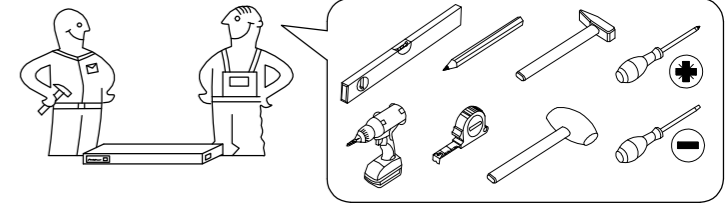
LEFT



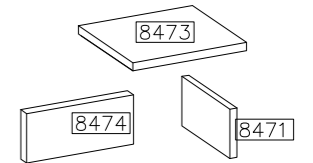
RIGHT



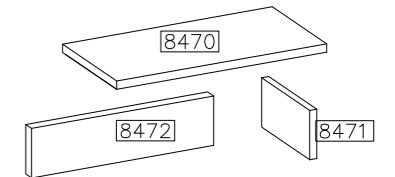
NADSTAWKA KRÓTKA I DŁUGA



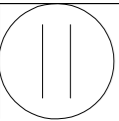
NADSTAWKA KRÓTKA						
#	ART. NR	L	W	T	Q	Col.No
1	8473	592	350	25	1	1
2	8471	320	270	25	1	1
3	8474	512	270	25	1	1



NADSTAWKA DŁUGA						
#	ART. NR	L	W	T	Q	Col.No
1	8470	1232	350	25	1	1
2	8471	320	270	25	1	1
3	8472	1152	270	25	1	1

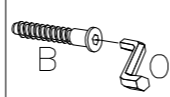


3



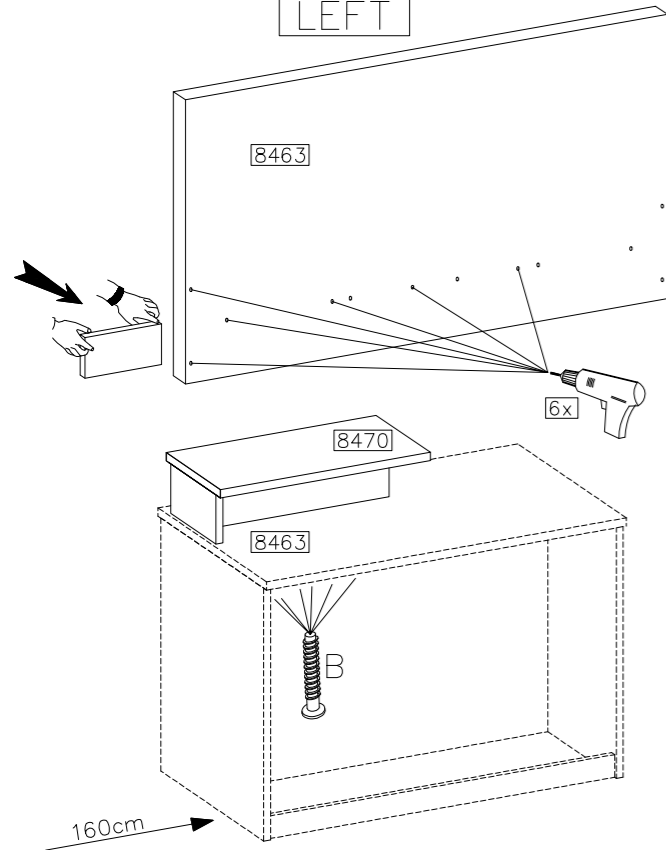
ø7,0x60mm	
B1	O
6	1

OPTION

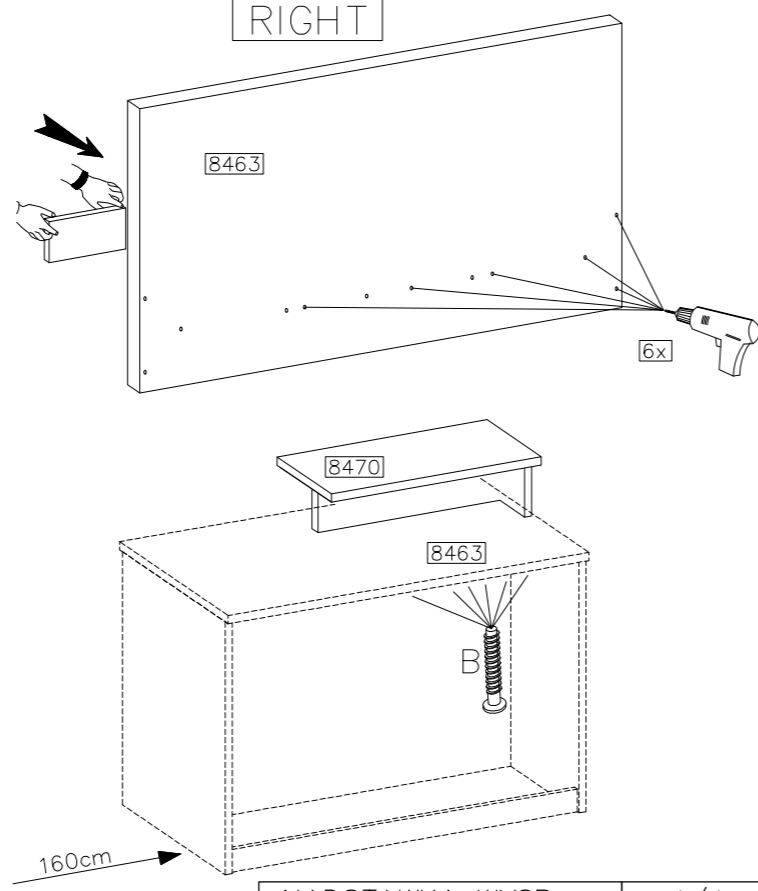


E

LEFT



RIGHT



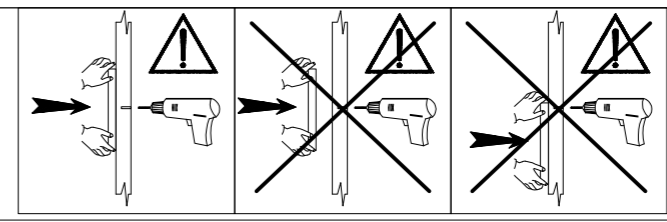
<table border="1"> <tr> <td>ø15/12mm</td> <td></td> <td></td> <td>ø7,0x60mm</td> <td></td> <td></td> </tr> <tr> <td>C</td> <td>D1</td> <td>E</td> <td>B1</td> <td>O</td> <td></td> </tr> <tr> <td>4</td> <td>4</td> <td>4</td> <td>4</td> <td>1</td> <td></td> </tr> </table>	ø15/12mm			ø7,0x60mm			C	D1	E	B1	O		4	4	4	4	1		<table border="1"> <tr> <td>ø15/12mm</td> <td></td> <td></td> <td>ø7,0x60mm</td> <td></td> <td></td> </tr> <tr> <td>C</td> <td>D1</td> <td>E</td> <td>B1</td> <td>O</td> <td></td> </tr> <tr> <td>6</td> <td>6</td> <td>6</td> <td>6</td> <td>1</td> <td></td> </tr> </table>	ø15/12mm			ø7,0x60mm			C	D1	E	B1	O		6	6	6	6	1	
ø15/12mm			ø7,0x60mm																																		
C	D1	E	B1	O																																	
4	4	4	4	1																																	
ø15/12mm			ø7,0x60mm																																		
C	D1	E	B1	O																																	
6	6	6	6	1																																	

1 (I) $\varnothing 15/12\text{mm}$

C	D1
4	4

2 (I) E

E
4



1 (II) $\varnothing 15/12\text{mm}$

C	D1
6	6

2 (II) E

E
6

3 (I) OPTION LEFT RIGHT

B

$\varnothing 7,0 \times 60\text{mm}$

B1	O
4	1

3 (I) LEFT OPTION RIGHT

A

$\varnothing 7,0 \times 60\text{mm}$

B1	O
4	1

NADSTAWKA WYSP 2/4

3 (II) OPTION LEFT RIGHT

C

$\varnothing 7,0 \times 60\text{mm}$

B1	O
6	1

NADSTAWKA WYSP 3/4